

## AirGuard FGT

The FGT Series of surge protection devices prevents surges and transient overvoltages conducted through coax cables used for wireless Local Multipoint Distribution System (LMDS), Wireless Local Loop (WLL), and Multichannel Multipoint Distribution Service (MMDS). These versatile products can be used in any "F" connector application from DC - 2.5GHz frequencies to 75 ohm impedance.

Typical applications for the FGT Series include the protection of radio telemetry systems, mobile communications base stations and where high induced voltages may be present.



### Features

- Rugged Construction
- Economic protection
- Versatile up to DC - 2.5GHz
- Allows DC/LF injection
- Weatherproof
- Multiple strike capability

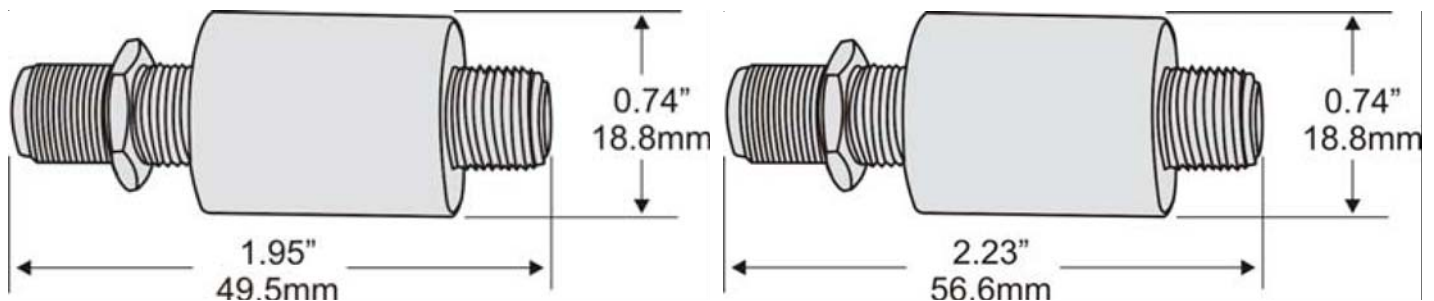
### Specifications

Max. discharge current: 20kA (8/20 $\mu$ s)  
 Max. power rating (VSWR): 1.5:1 @ 1.5GHz  
 Frequency range: DC to 2.5GHz  
 Peak pulse current (8/20 $\mu$ s): 15kA - 20kA  
 Impedance: 75 Ohms

Model	Connectors	Diameter
AT51076	F	0.385"

Model	Connectors	Frequency Range (GHz)	VSWR	Insertion Loss (dB)	Peak Pulse Current (8/20 $\mu$ s)	Impedance (Ohms)
AT51069	F(f) Bulkhead to F(f) for LMDS/RG 6 cable	DC - 2.5	1.5:1 @ 1.5GHz	.4	20kA	75
AT51070	F(f) Bulkhead to F(f) for LMDS/RG 59 cable	DC - 2.5	1.5:1 @ 1.5GHz	.4	20kA	75

Model	Connectors	Frequency Range (GHz)	Return Loss (dB)	Insertion Loss (dB)	Peak Pulse Current (8/20 $\mu$ s)	Impedance (Ohms)
AT51072	F(f) Bulkhead to F(f)	DC - 2.5	-18	.03	20kA	75
AT51073	F(f) Bulkhead to F(f)	DC - 1.0	-20	.1	15kA	75



Model #AT51073

Model #AT51069, AT51070, AT51072