



# AirGuard QWS/GT Hybrid Series

**Application:** The QWS/GT Series (Wideband Quarterwave Tubeless Stub) of surge protectors prevent surges and transient overvoltages. Utilizing an innovative “tubeless” design, these surge protectors deliver true W-I-D-E-B-A-N-D performance. These compact units have a high transient current capability with extremely low Passive Intermodulation (PIM). Typical applications for the QWS/GT includes the protection of cellular, PCS and even 3G frequencies. It is also ideal as a single stock item device that can be used in any system up to 2,200MHz with outstanding performance.



AT51041, 7/16 F/F

## Features

- Multi-application
- Low passive intermodulation (PIM)
- Weatherproof
- 120kA surge current rated
- No discrete components to fail
- Nickel plated for corrosion resistance

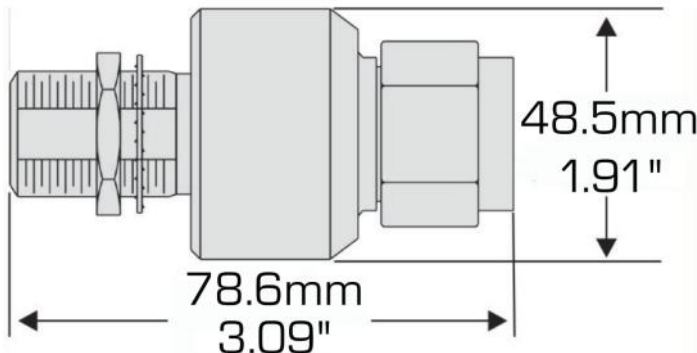
## Specifications

**Max. Discharge Current:** 60kA (8/20 $\mu$ s)  
**Max. Power Rating (VSWR):** 1.15:1  
**Frequency Range:** 0.82 - 2.2GHz  
**Peak Pulse Current (8/20 $\mu$ s):** 120kA  
**Impedance:** 50 Ohms  
**RF Power Handling:** To 3kW  
**Passes DC:** 15ADC up to 48VDC  
**Low Passive Intermodulation:** -150 dBc Pim (3rd order at 2x43 dBm tones)

## Optimum Performance Frequencies

**Frequency (GHz):** 0.82 - 2.2  
**VSWR:** 1.05:1 - 1.15:1  
**Insertion Loss (dB):** 0.05 - 1.10  
**Protection Level Current:** 120kA

Part Number	Mounting Connector	Second Connector	Impedance
AT51041	7/16 Female Bulkhead	7/16 Male	50 Ohms
AT51042	7/16 Female Bulkhead	7/16 Female	50 Ohms



Bracket Part Number	Connectors	Diameter
AT51074	7/16 DIN	1.146"
AT51075	N	0.630